

Copyright for students

Background

Copyright governs how to use someone else's work. The copyright gives the creators, copyright holders, of the work the right to decide how their works may be used. That's why you need to ask the creator for permission to use copyrighted material. Creators can for example be authors, photographers, artists or composers.

Copyrighted material is e.g. texts, recorded speeches, computer programs, artistic works of various kinds, charts, figures, images, audio and video. Material available in print and on the internet is both protected by copyright. Copyright is valid throughout the lifetime of the copyright holder and 70 years after the copyright holder has died.

You are the copyright holder for your student thesis.

The Higher Education Institutions (HEI) Agreement

Through agreements concluded between Swedish universities and [Bonus Copyright Access](#), teachers and students are permitted to share and distribute copyrighted material for educational purposes at the University by:

- Digitally saving it on the University's closed network (e.g. Lisam),
- Using copied material in presentations such as PowerPoint,
- Saving and distributing digital presentations at the University's closed network and via email,
- Handing out paper copies to registered students.

It is allowed to copy a limited number of pages of a work for private-use, which includes studies. Based on the agreement with Bonus Copyright Access, it is allowed to copy 15 %, but not more than 15 pages of a publication.

Reuse copyrighted material

You may always quote and reference texts that someone else has created without permission from the copyright holder, but to a reasonable extent required for the context and with proper reference.

However, if you want to use images, figures, charts that someone else has created, different rules applies depending on how your text will be published.

If your text only is to be submitted for examination and not distributed in print and/or electronically no permission is required from the copyright holder. This includes submitting a printed copy of a work to your teacher or uploading your report in Lisam.

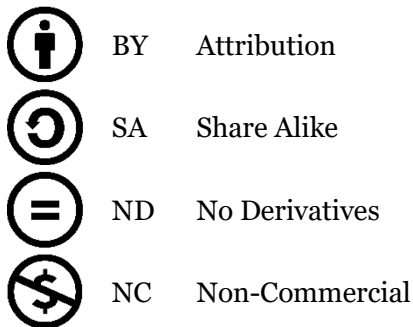
However, student thesis is distributed publicly in print and/or electronically outside the university. Therefore, permission is required from the copyright holder to reuse photos, diagrams and figures in your thesis.

If you fail to contact the copyright owner, the work cannot be reused in your thesis.

Creative Commons Licenses (CC)

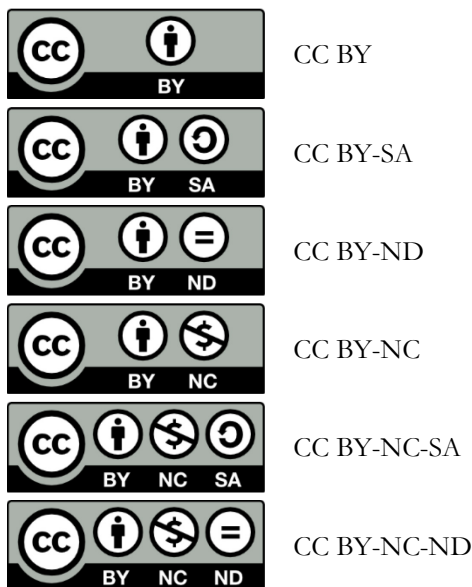
Some content on the Internet has clear license agreements through [Creative Commons](https://creativecommons.org/) (CC), which tells you how to use the material, based on the copyright owner's wishes, without having to ask for permission. Credit must always be given to the creator.

Creative Commons licenses consist of four blocks:



Source: *Creative Commons (n.d.). About CC Licenses.* <https://creativecommons.org/about/ccllicenses/>

The above four blocks can then be combined into six different layers:



Source: *Creative Commons (n.d.). About CC Licenses.* <https://creativecommons.org/about/ccllicenses/>

When reusing material with a CC license, a reference must be always be given. It should contain a link to the CC license that the material has. Below is an example of a photograph with a CC license in a Harvard reference list:



*Miller, P. (2006, April 22). BedZED tulips [Photography].
https://commons.wikimedia.org/wiki/File%3ABedZED_tulips.jpg License
Creative Commons (*BY*)*

Publish Student thesis

As the author of your student thesis, you are the copyright holder. Hence you may choose whether you wish to publish the thesis online. [On LiU E-press' website](#) you can find information on how to proceed. In the publication agreement that you need to sign, you can choose whether you want to publish the thesis with a Creative Commons license (CC BY or CC BY-NC). You are responsible for stating the license in your work.

Do you have questions?

Please contact us at biblioteket@liu.se, we are pleased to help you!